

CHICAGO

Electric Power Tools

SPOTLIGHT

500,000 CANDLE POWER/CORDLESS

Model 43972

ASSEMBLY & OPERATING INSTRUCTIONS



Visit Our Web Site
<http://www.harborfreight.com>



3491 Mission Oaks Blvd. / Camarillo, CA 93011

Copyright © 2000 by Harbor Freight Tools. All rights reserved.
No portion of this manual or any artwork contained herein may be reproduced in any shape or form without the express written consent of Harbor Freight Tools.

For technical questions and replacement parts, please call 1-800-444-3353.

THANK YOU for choosing a **HARBOR FREIGHT TOOLS** product. For future reference, please complete the owner's record below:

Model _____ **Serial No.** _____ **Purchase Date** _____

SAVE THE RECEIPT, WARRANTY AND THESE INSTRUCTIONS. It is important that you read the entire manual to become familiar with the unit BEFORE you begin assembly.

Technical Specifications

Tool Name:	Spotlight, 500,000 Candle Power-Cordless
Item Number:	43972
Lens:	4-3/4" Diameter x 3/16" Thick
Battery:	6V/DC-5.0 Amp Hour- Rechargeable
Lens Construction:	3/16" Glass
Candle Power	500,000
Light Source:	Quartz Halogen Bulb
Handle:	Pistol Grip
Handle Length:	4-1/8" L x 2" W x 1-1/4" Thick
Trigger:	Squeeze Type with Lock
Cord:	76" Long
Power Adapter:	120 VAC / 60 Hz<-> 12 VDC
Charger:	U.L. Listed
Car Adapter:	Lighter Type- 12V/DC
Overall Dimensions:	5-1/4" (Housing Diameter, 5-1/2" L x 9-1/2" H
Tool Weight:	3.45 LBS.



IMPORTANT SAFETY INSTRUCTIONS!



READ ALL INSTRUCTIONS BEFORE USING THIS PRODUCT!

Safety Warnings and Precautions

**WARNING: When using tool, basic safety precautions should always be followed to reduce the risk of personal injury and damage to equipment.
Read all instructions before using this product!**

1. **Avoid working alone.** If an accident happens, an assistant can bring help.
2. **Keep work area clean.** Cluttered areas invite injuries.
3. **Keep children away.** Children must never be allowed in the work area. Do not let them handle machines, tools, or extension cords.
4. **Store idle equipment.** When not in use, tools must be stored in a dry location to inhibit rust. Always lock up tools and keep out of reach of children.
5. **Maintain tools with care.** Ensure tester has fresh batteries. Inspect tool cords periodically and, if damaged, have them repaired by an authorized technician.
6. **Use the right tool for the job.** Do not attempt to force a small tool or attachment to do the work of a larger industrial tool. There are certain applications for which this tool was designed. Do not modify this tool and do not use this tool for a purpose for which it was not intended.
7. **Stay alert.** Watch what you are doing, use common sense. Do not operate any tool when you are tired.

8. **Check for damaged parts.** Before using any tool, any part that appears damaged should be carefully checked to determine that it will operate properly and perform its intended function. Check for alignment and binding of moving parts; any broken parts or mounting fixtures; and any other condition that may affect proper operation. Any part that is damaged should be properly repaired or replaced by a qualified technician. Do not use the tool if any switch does not turn On and Off properly.
9. **Replacement parts and accessories.** When servicing, use only identical replacement parts. Use of any other parts will void the warranty. Only use accessories intended for use with this tool. Approved accessories are available from Harbor Freight Tools.
10. **Do not operate tool if under the influence of alcohol or drugs.** Read warning labels on prescriptions to determine if your judgment or reflexes are impaired while taking drugs. If there is any doubt, do not operate the tool.
11. **Never look directly into the Spotlight.**
12. **Avoid touching the Lens** as it may become hot during operation.
13. **Do not disassemble the Battery** or remove any parts from the Battery and surrounding connections.
14. **Do not allow the Spotlight to be exposed to fire or high heat** as this may result in an explosion.
15. **Disconnect power.** Unplug charger when not in use.
16. **Maintenance.** For your safety, maintenance should be performed regularly by a qualified technician.

Warning: The warnings, cautions, and instructions discussed in this instruction manual cannot cover all possible conditions and situations that may occur. It must be understood by the operator that common sense and caution are factors which cannot be built into this product, but must be supplied by the operator.

Note: Performance of this tool (if powered by line voltage) may vary depending on variations in local line voltage. Extension cord usage may also affect tool performance.

Grounding/Voltage Warning

Common household current is 110-120 volts. As long as the outlet used with the tool is rated from 110-120V there will be no complications using it with household receptacles. Plug the tool into a 110-120V properly grounded outlet protected by a 15-amp, dual element time delay or circuit breaker.

NEVER try to plug a 110-120V tool into a 220-240V circuit or serious complications and possible injury to the operator may occur. The plugs have different shapes to prevent this.

Assembly

Your Spotlight comes completely assembled.

Operation

To assist you with operating your Spotlight please refer to Figure 1 on page 5 and to the Parts List and Assembly Diagram located on pages 5 and 6.

Note: Always recharge the Spotlight within a 24 hour period after each use.

Note: This unit is equipped with an automatic shutoff. If the Battery's power is running low, the unit will automatically stop operating to protect the battery. Charge the battery immediately.

Charging

Your Spotlight Battery (#9) is rechargeable. To recharge your Battery (#9) your Spotlight comes with a Power Adapter (#13). The battery capacity will be reduced if the Spotlight is not used for 3 months. It is recommended that the battery be re-charged at least one time every 3 months.

Note: The battery should be charged before the first use.

Step 1) Insert the cord end of the Power Adapter (#13) into the plug on the back of the Spotlight. Plug the Power Adapter (#13) into electrical outlet.

Step 2) The red light indicates the unit is properly plugged in. Leave the Power Adapter (#13) plugged in for approximately 10 hours until the Spotlight is fully charged. Recharging time is 8 to 10 hours. Note: The charging light will automatically turn off when the battery is fully charged. Always unplug the Power Adapter (#13) from the Spotlight after the Spotlight is charged. The Spotlight will not function properly if the Power Adapter is plugged into the Spotlight.

Car Adapter

Your Spotlight comes with a Car Adapter (#14). To operate your Car Adapter follow the steps listed below.

Step 1) Insert the cord end of the Car Adapter (#14) into the plug on the back of the Spotlight. Plug the Car Adapter (#14) into your car's lighter -see Figure 1 on page 5. Leave the Car Adapter (#14) plugged in for approximately 9 to 12 hours until the Spotlight is fully charged. Recharging time is 5 to 8 hours.

Step 2) Always unplug the Car Adapter (#14) from the Spotlight after the Spotlight is charged. The Spotlight will not function properly if the Car Adapter is plugged into the Spotlight.

Note: When charging the Spotlight, only place the Spotlight on a non-flammable surface.

Tripod Adapter

Step 1) Your Spotlight can be screwed onto a tripod or workstand (neither is included). At the bottom of the Trigger Grip Handle there is Tripod Adapter (#6). Screw this onto the fitting on your tripod or workstand.

On/Off with Locking Button

Your Spotlight is equipped with a Button Hold to allow you to have the Spotlight on while leaving your hands free for work.

Step 1) To turn on your Spotlight, press down on the Button (#11). Pressing down on the Button (#11) will engage the Locking Button (#10)-see Figure 1. Note: Never leave Spotlight unattended with the Locking Trigger Hold left on.

Step 2) To release the Locking Button(#10), push in on the left side of the Locking Button (#10)-see Figure 1.

Replacing the Battery: To replace the battery, unscrew the back of the Housing #1 and pull out the Battery. Remove red and black wire connections from the old battery. Attach these two wire connections to the new replacement battery.

NOTE: Make sure red battery wire connects to red battery terminal and black battery wire connects to black battery terminal.

Carefully slide the new Battery into the Housing #1, making sure that the wires are not damaged. Screw the back of the Housing #1 back into place.

IF THERE IS ANY QUESTION ABOUT A CONDITION BEING SAFE OR UNSAFE, DO NOT OPERATE THE TOOL.

Unpacking

UNPACK AND CHECK CONTENTS

When unpacking your Spotlight-500,000 Candle Power check to make sure the following parts are included. If any parts are missing or broken, please call **HARBOR FREIGHT TOOLS** at **1-800-444-3353**.

Parts Listing

Part #	Description	Quantity	Part #	Description	Quantity
1	Housing	1	8	Switch	1
2	Reflector Glass	1	9	Re-chargeable Battery	1
3	Bulb	1	10	Locking Button	1
4	Glass	1	11	Button	1
5	Lamp Lid	1	13	Power Adapter	1
6	Tripod Adapter	1	14	Car Adapter	1
7	Circuit Board	1	15	Charger Plug	1

Note: Some parts are listed and shown for illustration purposes only and are not available individually as replacement parts.



Figure 1

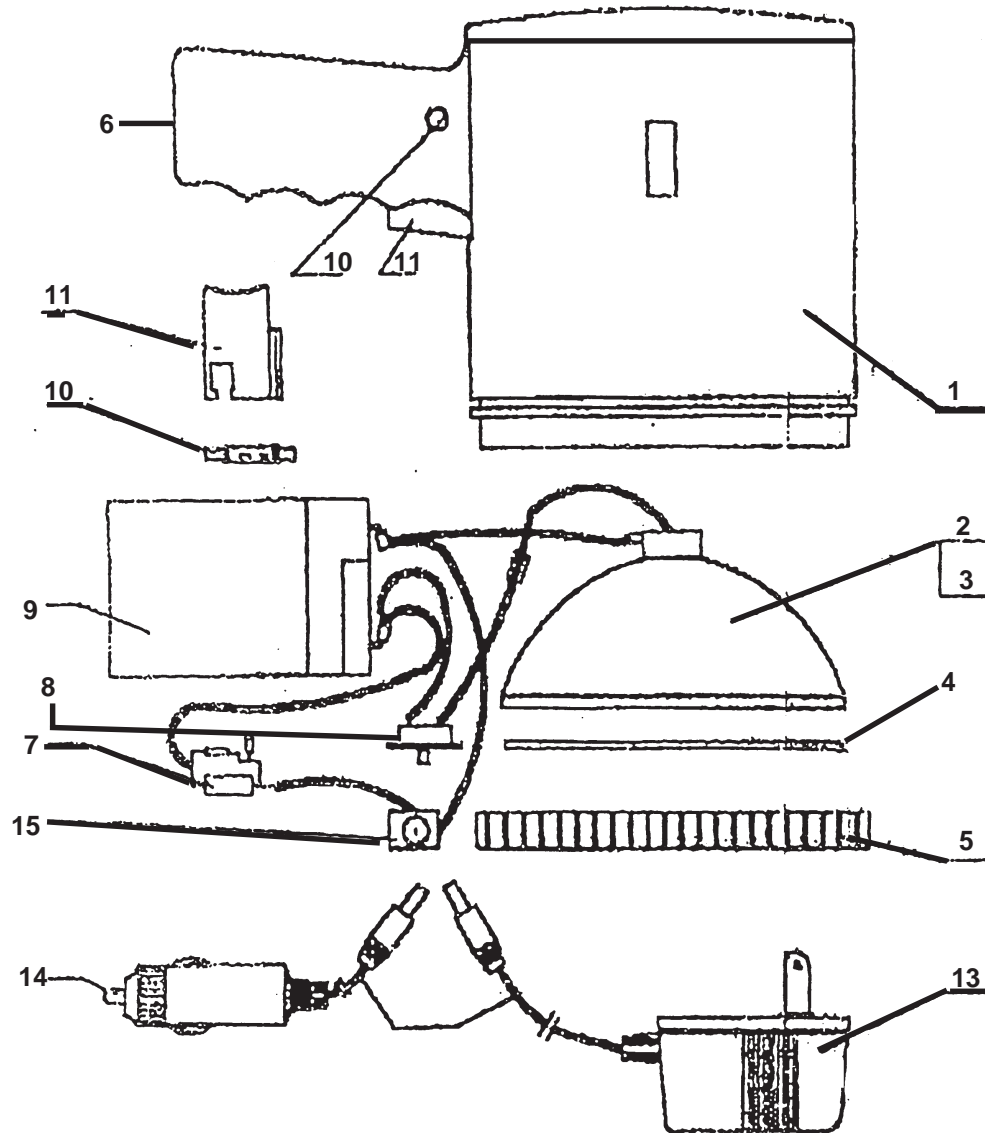
Warning-Battery Disposal

The Spotlight is powered by a battery which will have a long life span. When the battery is no longer functioning, it should be removed from the Spotlight and properly recycled. Many states require recycling. Contact your local solid waste authority for information on recycling.

Before disposing of the battery, wrap exposed terminals with heavy tape to prevent a shorting condition, which could cause fire and/or injury.

NEVER EXPOSE THE BATTERY TO HIGH HEAT OR FIRE; BATTERY MAY EXPLODE UNDER THESE CONDITIONS.

Assembly Diagram



PLEASE READ THE FOLLOWING CAREFULLY

THE MANUFACTURER AND/OR DISTRIBUTOR HAS PROVIDED THE PARTS DIAGRAM IN THIS MANUAL AS A REFERENCE TOOL ONLY. NEITHER THE MANUFACTURER NOR DISTRIBUTOR MAKES ANY REPRESENTATION OR WARRANTY OF ANY KIND TO THE BUYER THAT HE OR SHE IS QUALIFIED TO MAKE ANY REPAIRS TO THE PRODUCT OR THAT HE OR SHE IS QUALIFIED TO REPLACE ANY PARTS OF THE PRODUCT. IN FACT, THE MANUFACTURER AND/OR DISTRIBUTOR EXPRESSLY STATES THAT ALL REPAIRS AND PARTS REPLACEMENTS SHOULD BE UNDERTAKEN BY CERTIFIED AND LICENSED TECHNICIANS AND NOT BY THE BUYER. THE BUYER ASSUMES ALL RISK AND LIABILITY ARISING OUT OF HIS OR HER REPAIRS TO THE ORIGINAL PRODUCT OR REPLACEMENT PARTS THERETO, OR ARISING OUT OF HIS OR HER INSTALLATION OF REPLACEMENT PARTS THERETO.